

SKYMASTER SK22A SK27A



1

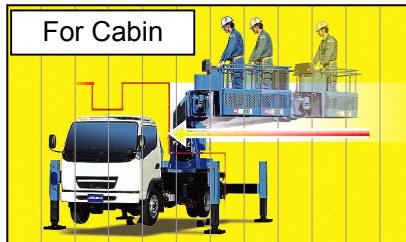
Pre-programmed interference avoidance System

For Ground



When the boom approaches to the cabin or ground, it automatically stops to prevent accidental collision and damage.

For Cabin



SK27A

Max, Platform Height
27.0 m
Max, Platform Loading
200 kg

SK22A

Max, Platform Height
22.1 m
Max, Platform Loading
200 kg

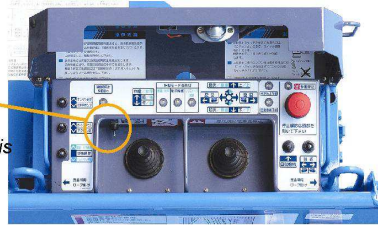
2

Horizontal Vertical Control , Non-Stop Control System



Speed Control Switch

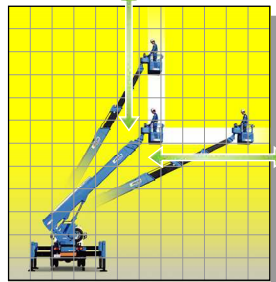
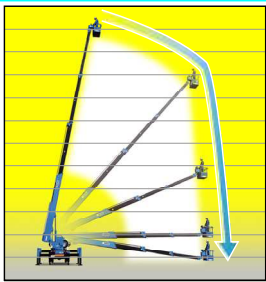
Proportional Control system is taken for Boom operation. You can choose Control speed High or Low.



	HV Control System	You can move the basket straight in vertical or horizontal direction with a single lever operation.
	Independent Control System	Three different boom control modes are available and you can select one.
	Non-Stop Control System	You can continuously lower the boom along the specified work radius limit.

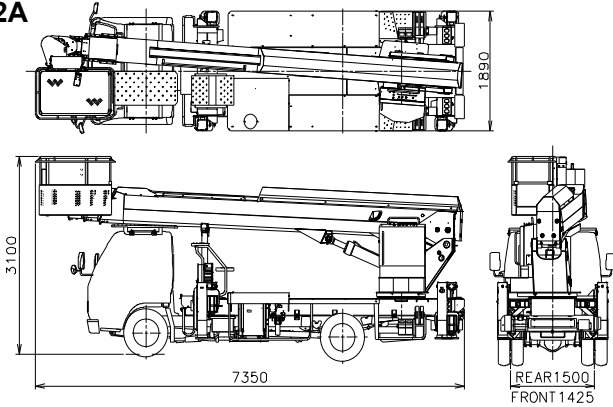
In this control mode, since the boom lowering function does not stop even when the platform reaches its specified work radius limit. You can continuously lower the boom along the specified work radius line of the platform.

HV control is highly efficient work continuously as it permits the operator to move the basket straight in a flat plane with a single lever operation.

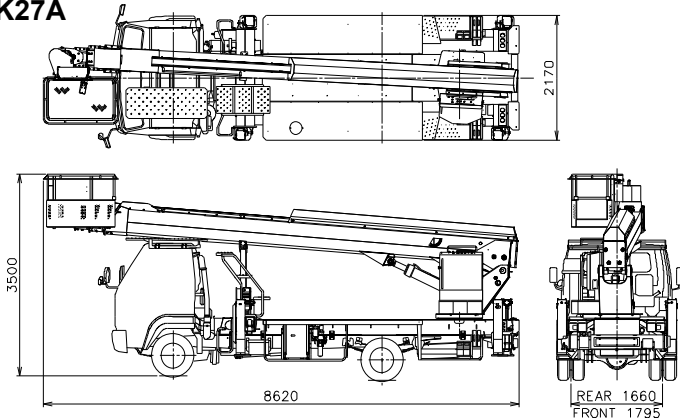


VEHICLE DIMENSION

SK22A

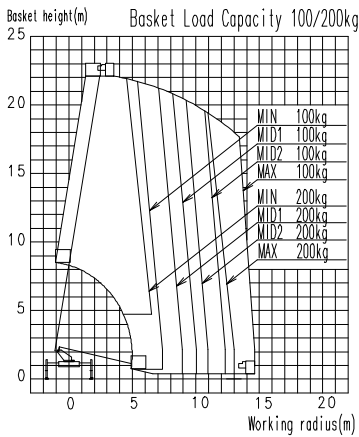


SK27A

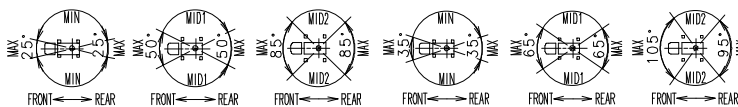
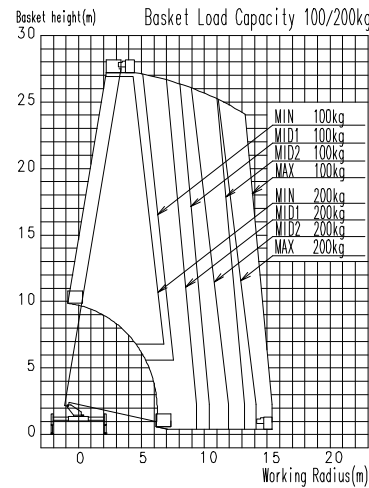


WORKING RANGE DIAGRAM

SK22A



SK27A



*Specifications are subject to change without notice and without obligation on the part of the manufacture.
 *This information, while believed to be completely reliable is not be taken as warranty for which we assume legal responsibility.

AICHI CORPORATION

Overseas Sales & Marketing Department

1152 Ryouke Ageo
 Saitama 362-850 Japan
 tel: 81-48-781-1671
 fax: 81-48-781-1808
<http://www.aichi-corp.co.jp>

SPECIFICATION

●MODEL NUMBER AND NAME		
Model Number	SK22A	SK27A
Model Name	Aerial Platform	
●BASKET		
Loading Capacity	200kg (2persons)	
Max.Basket Floor Height	22.1m	27.0m
Max.Working Radius	14.6m(100kg/Load)	15.4m(100kg/Load)
Inner Dimension(L×W×H)	1.2m×0.7m×0.9m	
Swing Angle	Left95° ~Right100°	
●BOOM		
Type	4 stages fully telescopic	
Length	6.785m~20.585m	8.060m~25.670m
Telescopic Stroke	13.80m	17.61m
Extension Speed	13.80m/50s	17.61m/60s
Retraction Speed	13.80m/50s	17.61m/60s
Boom Angle	-12° ~80°	
Elevation Speed	-12° ~80° /50s (Up and Down)	
●ROTATION DEVICE		
Rotation Angle	360° (Rotation)	
Rotation Speed	1. 2rpm	
●OUTRIGGER		
Outrigger Width	MIN	1710mm~2400mm 1990mm~2800mm
	MID1	2400mm~3000mm 2800mm~3600mm
	MID2	3000mm~3650mm 3600mm~4370mm
	MAX	3650mm~3700mm 4370mm~4420mm
Outrigger Stroke	995mm	1215mm
Jack Stroke	545mm	645mm
●SAFETY DEVICE		
Hydraulic safety device (Relief valve, Pilot check valves on outrigger cylinders, Holding valves on Elevation and Extension cylinders, Basket Leveling system), Stop Switch, Foot Switch, AMCS(Aichi Moment Control System), Handrail, Lever Guard, Automatic speed control for Boom Elevation and Rotation		
D-ring for Safety Belt, Emergency Pump, Bucket Load System		
Pre-programmed cabin and toolbox avoidance system		
Pre-programmed bucket and ground avoidance system		
Jack-Boom Interlock system		
●OTHER DEVICES		
Automatic stowing of the boom, Automatic Accelerator, Horizontal and vertical movement control, Error Checker		
Non-stop control system, Roofsteps, Level gauge		
●STANDARD ACCESSORIES		
Wooden Jack Base, Wheel Chock		

DISTRIBUTOR